



F SERIES HEAVY-DUTY FORKLIFT TRUCKS

Capacity 7.0 ton-10.0 ton (Diesel)

UN's F Series heavy-duty internal combustion forklifts feature a modern, robust, and streamlined design. Designed for high-intensity, long-duty, and heavy-load operations, they are ideal for demanding applications such as ports, steel, building materials, and logistics parks.



ZHEJIANG UN FORKLIFT CO., LTD.

ADDRESS: NO.1,ROAD ONE,XINDENG NEW DISTRICT,FUYANG,
HANGZHOU,ZHEJIANG 311404,CHINA

TEL: +86-571-8688 8355 (AMERICA)

+86-571-8886 9363 (EUROPE)

+86-571-8688 8377 (ASIA, AFRICA, OCEANIA)

E-MAIL: info@unforklift.com

PARTS INQUIRY: parts@unforklift.com

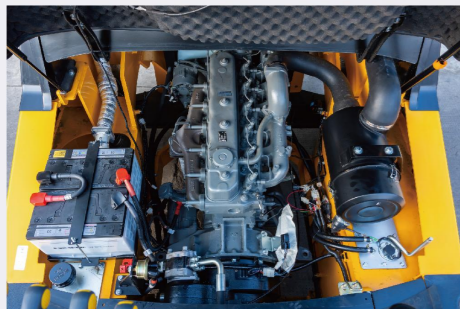
www.unforklift.com



MAIN SPECIFICATIONS									
General	1	Manufacturer	UN						
	2	Model	FD70T-FJR4	FD70T-FJB3	FD70T-FGQ11	FD100T-FJR4	FD100T-FJB3	FD100T-FGQ11	
	3	Power Type	Diesel						
	4	Rated Load Capacity	Q(kg)	7000			10000		
	5	Load Centre	C(mm)	600			600		
Characteristic & Dimension	6	Rated Lift Height	H3(mm)	3000			3000		
	7	Free Lift Height	H2(mm)	191			200		
	8	Fork Size (L×W×T)	mm	1220×150×65			1220×175×80		
	9	Mast Tilt Angle (F/R, α°/β°)	deg	6°/12°			6°/12°		
	10	Fork Overhang (Wheel Center to Fork Face)	X1(mm)	582			702		
	11	Rear Overhang	X2(mm)	700			698		
	12	Ground Clearance (Bottom of Mast)	H7(mm)	180			250		
	13	Length to Face of Fork (Without Fork)	L1(mm)	3582			4200		
	14	Overall Width	B1(mm)	2045			2165		
	15	Mast Lowered Height	H1(mm)	2480			2850		
	16	Mast Extended Height (With Backrest)	H4(mm)	4378			4415		
	17	Overhead Guard Height	H5(mm)	2440			2550		
	18	Turning Radius (Outside)	Wa(mm)	3340			3940		
	19	Min.Aisle width for pallets	Ast(mm)	5125			5842		
Performance	20	Travel Speed (Full Load/No Load)	km/h	29/31			30/32		
	21	Lifting Speed (Full Load/No Load)	mm/sec	490/520			330/350		
	22	Lowering Speed(Full Load/No Load)	mm/sec	No Load>300 Full Load<600			No Load>300 Full Load<600		
	23	Max.Drawbar Pull (Full Load)	KN	62			62		
	24	Max.Gradeability (Full Load/No Load)	%	32/20			21/20		
Chassis	25	Tyre (Front x 4)	mm	8.25-15-14PR			9.00-20-14PR		
	26	Tyre (Rear x 2)	mm	8.25-15-14PR			9.00-20-14PR		
	27	Front Tread	mm	1520			1600		
	28	Rear Tread	mm	1700			1730		
	29	Wheelbase	Y(mm)	2300			2800		
Weight	30	Total Weight	kg	9400			12800		
	31	Front Axle Weight Distribution (Full Load)	kg	14740			20300		
	32	Rear Axle Weight Distribution (Full Load)	kg	1660			2500		
	33	Front Axle Weight Distribution (No Load)	kg	4020			5800		
	34	Rear Axle Weight Distribution (No Load)	kg	5380			7000		
Power & Transmission	35	Battery	V/Ah	24/90			24/90		
	36	Engine Model		F3.8	6BG1	4J1	F3.8	6BG1	4J1
	37	Engine Manufacturer		CUMMINS	ISUZU	QUANCHAI	CUMMINS	ISUZU	QUANCHAI
	38	Rated Output / r.p.m.	kw	90/2200	82/2000	85/2200	90/2200	82/2000	85/2200
	39	Rated Torque / r.p.m.	N·m	500/1500	416/1500	500/1320-1650	500/1500	416/1500	500/1320-1650
	40	No.of Cylinder		4	6	4	4	6	4
	41	Bore x Stroke	mm	102x115	105x125	105x124	102x115	105x125	105x124
	42	Displacement	L	3.8	6.494	4.29	3.8	6.494	4.29
	43	Fuel Tank Capacity	L	140			140		
	44	Transmission Type		HYDRAULIC					
	45	Transmission Stage (FWD/RVS)		2/2			2/2		
	46	Operating Pressure (For Attachments)	Mpa	21			21		

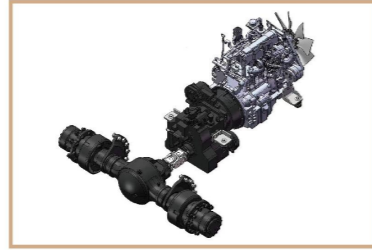
High Performance ★

- Leading-brand multi-way valve with steering priority for efficient hydraulics.
- The dual-pump flow merging system enhances work efficiency and reduces energy loss.
- Optimized load capacity design for enhanced overall stability.
- The front 2/rear 2 gearboxes boost the driving speed by 20%, improving acceleration and climbing performance.
- High-performance cooling system increases heat dissipation by 20%, ensuring long-term reliability.



- Cummins F3.8 with DOC + DPF + SCR, EU Stage V & EPA Tier 4 Final compliant.
- Isuzu 6BG1 engine option for low-emission markets, proven durability.

- Heavy-duty floating transmission with over 20 years of proven reliability, ensuring stable, efficient, and smooth operation.



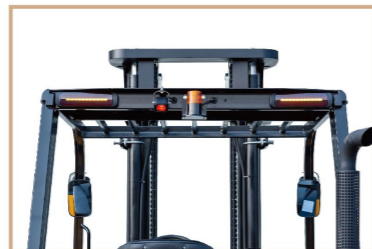
- Load-sensing hydraulic system for high efficiency and lower energy consumption.



- Full-color LCD display for clear, real-time operating information.



- Full LED lighting system for low energy use and long service life.



F SERIES HEAVY-DUTY FORKLIFT TRUCKS

Capacity 7.0 ton-10.0 ton (Diesel)

STANDARD

- Duplex Mast
- 2nd Valve & Pipe (7T)
- 4th Valve & Pipe (10T)
- Double tyre (pneumatic)
- Standard Forks 1220mm
- LED Working Light
- ISUZU&KUBOTA Engines

OPTIONAL

- Duplex Full Free Mast
- Triplex Full Free Mast
- Rear Handle With Horn
- 3rd Valve & Pipe (7T)
- 4th Valve & Pipe (7T)
- OPS (Operator Presence System)
- Suspension Seat
- No-marking Solid Tyre
- Closed Cabin
- Air Conditioner
- Air Cleaner
- Side Shifter
- Heater
- Rear Blue Spot Light
- Red Line Warning Light (3 sides)



Ergonomic Design ★★ ★

- Adjustable semi-enclosed seat reduces fatigue during long operations.



- Ratchet-type parking brake for light operation and reliable braking.



Easy Maintenance ★★ ★

- Big opening engine hood with removable floor plates for easy servicing.



- Integrated side electrical cabinets for quick inspection, with extra storage space.



- Wide-view mast improves lateral visibility by ~10%.



- Mast cylinder cushioning for smoother lift and lowering operation.



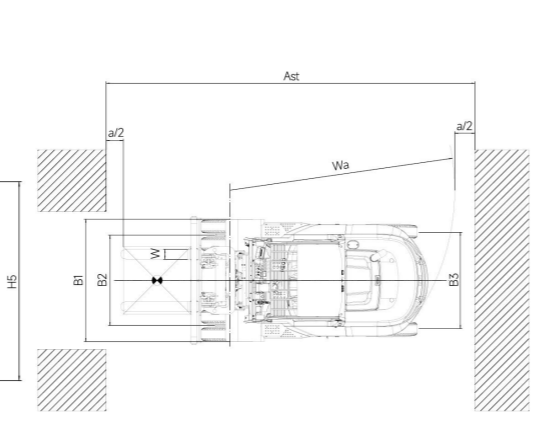
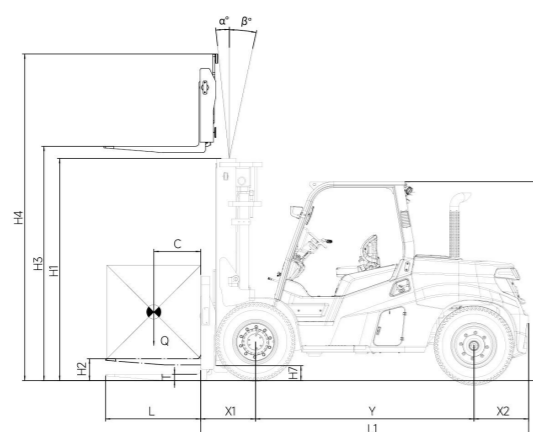
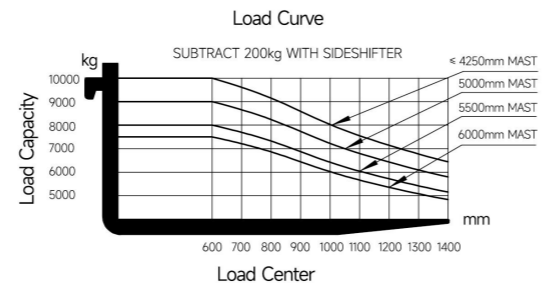
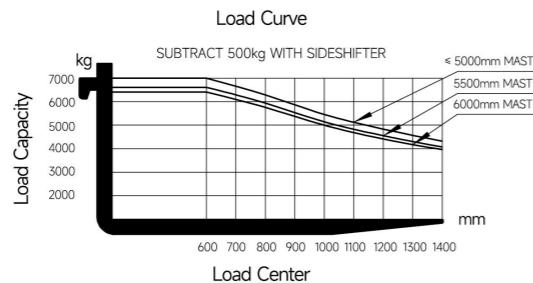
- Ample legroom and headroom for operator comfort.



F SERIES HEAVY-DUTY FORKLIFT TRUCKS

Capacity 7.0 ton-10.0 ton (Diesel)





MAST SPECIFICATIONS & RATED CAPACITIES																			
Mast Type	Mast Name	Max. Fork Height (mm)	Load capacity (kg)		Overall Height (mm)								Free Lift (mm)		Tilt Angle	Total Weight (kg)			
					Lowered				Extended				Without Backrest					With Backrest	
					7.0t	10.0t	7.0t	10.0t	7.0t	10.0t	7.0t	10.0t	7.0t	10.0t				7.0t	10.0t
Wide View Mast	M250	2500	*	10000	*	2600	*	3890	*	3890	*	200	*	200	6/12	*	12705		
	M270	2700	*	10000	*	2700	*	4090	*	4090	*	200	*	200	6/12	*	12740		
	M300	3000	7000	10000	2480	2850	3210	4390	4433	4390	165	200	165	200	6/12	9400	12800		
	M330	3300	7000	10000	2630	3000	3510	4690	4733	4690	165	200	165	200	6/12	9450	12855		
	M350	3500	7000	10000	2730	3100	3710	4890	4933	4890	165	200	165	200	6/12	9490	12900		
	M375	3750	7000	10000	2855	3225	3960	5140	5183	5140	165	200	165	200	6/12	9530	12945		
	M400	4000	7000	10000	3030	3400	4210	5390	5433	5390	165	200	165	200	6/12	9700	13015		
	M425	4250	7000	10000	3155	3525	4460	5640	5683	5640	165	200	165	200	6/12	9740	13060		
	M450	4500	7000	9000	3280	3650	4710	5890	5933	5890	165	200	165	200	6/12	9780	13115		
	M475	4750	7000	9000	3405	3775	4960	6140	6183	6140	165	200	165	200	6/6	9820	13160		
3-Stage Full Free Wide View Mast	M500	5000	7000	9000	3530	3900	5210	6390	6433	6390	165	200	165	200	6/6	9860	13345		
	M550	5500	6600	8000	3830	4200	5710	6890	6933	6890	165	200	165	200	6/6	10050	13460		
	M600	6000	6400	7500	4080	4450	6210	7390	7433	7390	165	200	165	200	6/6	10240	13695		
	TFM400	4000	6200	*	2460	*	4185	*	5397	*	1277	*	1048	*	6/6	9300	*		
	TFM435	4350	6200	*	2585	*	4515	*	5727	*	1402	*	1173	*	6/6	9360	*		
	TFM450	4500	6200	*	2645	*	4685	*	5897	*	1462	*	1253	*	6/6	9420	*		
	TFM480	4800	6200	*	2740	*	4985	*	6197	*	1557	*	1328	*	6/6	9480	*		
	TFM500	5000	6200	*	2805	*	5185	*	6397	*	1622	*	1393	*	6/6	9560	*		
	TFM550	5500	5950	*	2970	*	5685	*	6897	*	1787	*	1558	*	6/6	9680	*		
	TFM600	6000	5600	*	3135	*	6185	*	7397	*	1952	*	1723	*	6/6	9800	*		
TFM650	6500	5000	*	3405	*	6735	*	7947	*	2222	*	1993	*	6/6	9940	*			
TFM700	7000	4500	*	3510	*	7185	*	8397	*	2327	*	2098	*	6/6	10010	*			

Note: With side shifter, load capacity subtract 500Kg.; With inner side shifter, load capacity subtract 400Kg.

Safety & Reliability ★★

- Integral cast drive axle for higher load capacity and long service life.
- High-strength box-frame steering axle ensures rigidity and durability.
- Reinforced transverse steering cylinder with protective cover.



- Heavy-duty overhead guard with reinforced top structure.
- Optional OPS disables travel and mast functions when the operator leaves the seat.



- Large capacity air filter with safety filter element and pressure alarm function.
- Heavy-duty radiator ensures reliable cooling under high-load conditions.

